

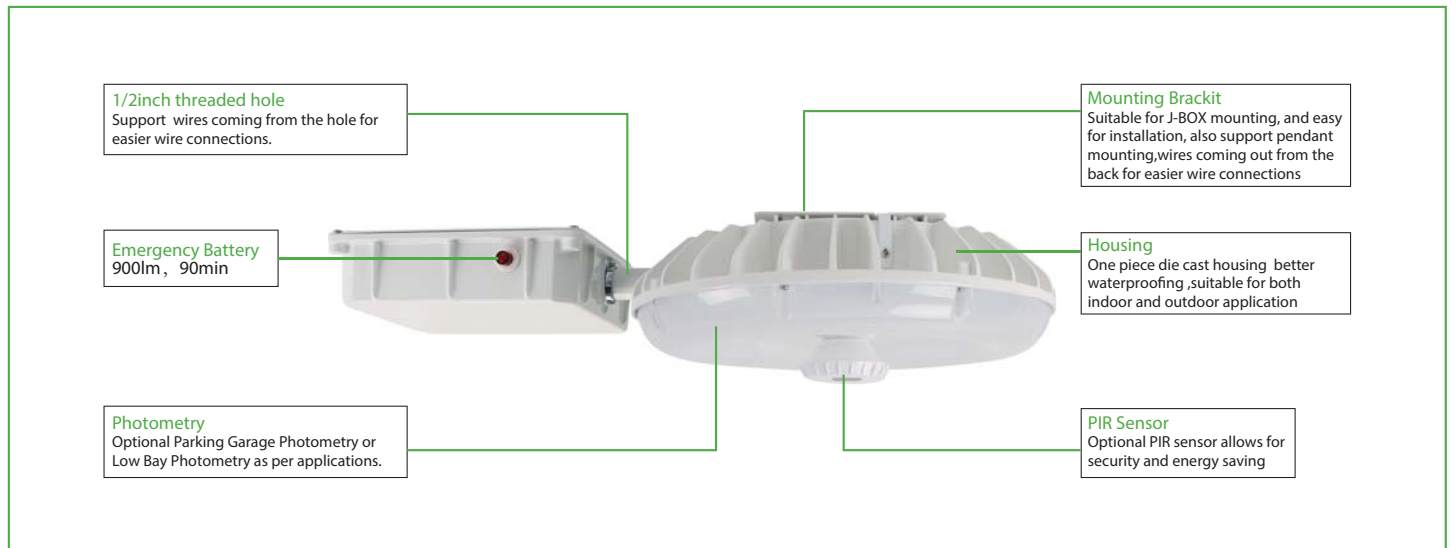


Applications:

Parking structures, storage areas, shopping area walkways, entryway, and low level security.

Features

- Sealed die-casting profile for indoor and outdoor applications.
- Voltage is 120-277V & 347V.
- Lumen output from 3500-7600lm with efficacy up to 127lm/W.
- Optional Parking Garage Photometry or Low Bay Photometry as per applications.
- Increase energy savings with bi-level Motion sensor.
- Replacing 100W MH and 175W MH.
- Operating temperature is -40°C to 40°C(-40°F to 104°F).
- UL/cUL wet location and DLC premium qualified.



PERFORMANCE DATA

			4000K(70CRI)		5000K(70CRI)	
SYSTEM WATTS	PHOTOMETRY	VOLTAGE	LUMENS	LPW	LUMENS	LPW
30W	Parking Garage	120-277VAC	3500lm	117 lm/W	3600lm	120 lm/W
	Low Bay	120-277VAC	3800lm	127 lm/W	3800lm	127 lm/W
45W	Parking Garage	120-277VAC	4900lm	109 lm/W	5000lm	111 lm/W
	Low Bay	120-277VAC	5500lm	122 lm/W	5500lm	122 lm/W
50W	Parking Garage	347VAC	4900lm	98 lm/W	5000lm	100 lm/W
	Low Bay	347VAC	5500lm	110 lm/W	5500lm	110 lm/W
60W	Parking Garage	120-277VAC	7000lm	117 lm/W	7100lm	118 lm/W
	Low Bay	120-277VAC	7600lm	127 lm/W	7600lm	127 lm/W
60W	Parking Garage	347VAC	7000lm	117 lm/W	7100lm	118 lm/W
	Low Bay	347VAC	7600lm	127 lm/W	7600lm	127 lm/W

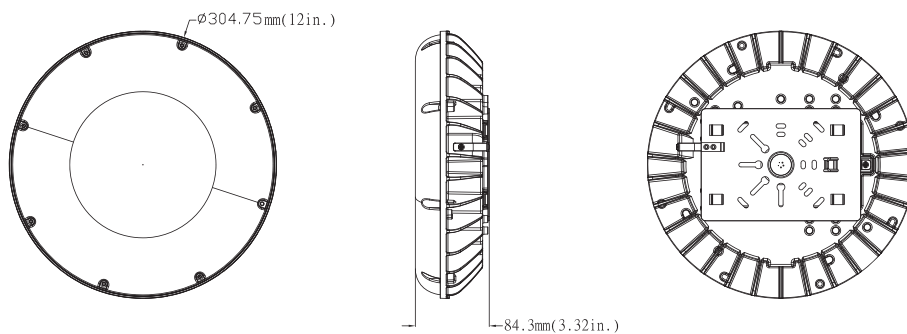
ELECTRICAL DATA

Number Of Drivers	Driver Current (mA)	Nominal Power (W)	INPUT VOLTAGE (V)	CURRENT (Amps)
1	760	30	120	0.25
		30	208	0.14
		30	240	0.13
		30	277	0.11
1	1110	45	120	0.38
		45	208	0.22
		45	240	0.19
		45	277	0.16
		50	347	0.14
1	1500	60	120	0.50
		60	208	0.29
		60	240	0.25
		60	277	0.22
		60	347	0.17

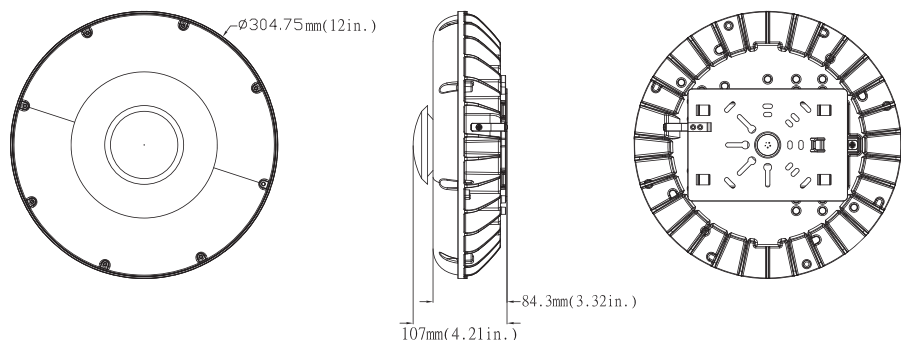
DIMENSION

unit: inch/mm

Weight: 30W: 5.29lb
45W: 5.4lb
60W: 5.73lb

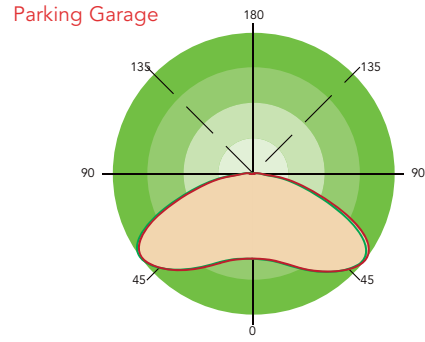
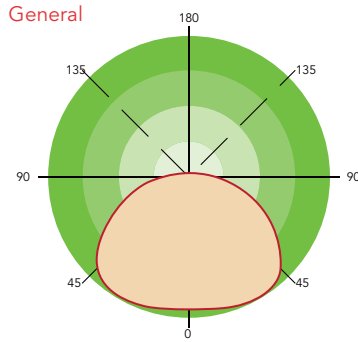


Weight: 30W: 5.576lb
45W: 5.686lb
60W: 6.016lb



CHOOSE YOUR OPTICAL DISTRIBUTION

Each optic is designed for a specific purpose. The general distribution allows a wash of light in any application. In addition, we design an optic specially for parking garage.



ORDERING GUIDE Example: MCP0330W27V40KDMDPG

Fixture Type	Wattage	Voltage	CCT	Finish	Sensor (Option)	Dimmable	Photometry
<input type="text"/>	<input type="text"/>	<input type="text"/>	<input type="text"/>	<input type="text"/>	<input type="text"/>	<input type="text"/>	<input type="text"/>
MCP03 MCP Series	30 30W 45 45W 50 50W 60 60W	27V 120-277V 34V 347V	40K 4000K 50K 5000K	D Dark Bronze B Black W White	Blank Without Sensor M With Sensor	D 0-10 Dimmable Blank NON Dimmable	PG Parking Garage LB Low Bay

Note: 1. The Watt is 45W when the voltage is 120-277V, while when it is 347V, the watt is 50W.

DLC Model NO.

SYSTEM WATTS	VOLTAGE	CCT	Dimmable	DLC NO.	DLC Classification
30W	120-277V	4000K	NO	MCP0330W27V40K[D,B,W][Blank,M]PG	Premium
		5000K	NO	MCP0330W27V50K[D,B,W][Blank,M]PG	Premium
		4000K	YES	MCP0330W27V40K[D,B,W][Blank,M]DPG	Premium
		5000K	YES	MCP0330W27V50K[D,B,W][Blank,M]DPG	Premium
45W	120-277V	4000K	NO	MCP0345W27V40K[D,B,W][Blank,M]PG	Premium
		5000K	NO	MCP0345W27V50K[D,B,W][Blank,M]PG	Premium
		4000K	YES	MCP0345W27V40K[D,B,W][Blank,M]DPG	Premium
		5000K	YES	MCP0345W27V50K[D,B,W][Blank,M]DPG	Premium
60W	120-277V	4000K	NO	MCP0360W27V40K[D,B,W][Blank,M]PG	Premium
		5000K	NO	MCP0360W27V50K[D,B,W][Blank,M]PG	Premium
		4000K	YES	MCP0360W27V40K[D,B,W][Blank,M]DPG	Premium
		5000K	YES	MCP0360W27V50K[D,B,W][Blank,M]DPG	Premium