

LED HIGH BAY(MHB05)



Applications:

Suitable for commercial, retail and institutional applications including gymnasiums, factories and warehouses.

Features

- Lumen Efficiency of 145lm/W.
- 120-degree lens for optimal light intensity and uniformity.
- Hook or Conduit pendant mount for various applications.
- Optional motion sensor can be offered for maximizing energy savings.
- Optional adjustment dial allows the fixture to meet higher ambient temperature requirements.
- Operating temperature is $-40^{\circ}\text{C}(-40^{\circ}\text{F})$ $-65^{\circ}\text{C}(149^{\circ}\text{F})$.
- Resistant to shock and vibration.



Mounting
Suitable for Hook or 3/4" Conduit pendant.

Motion Sensor
Optional motion sensor allows for security and energy saving.



Housing
Symmetrical design for consistent installed results. A large heat sinks for maximum heat dissipation. Combining it with a motion sensor built into the system, more energy would be saved and less maintenance than HID technology.

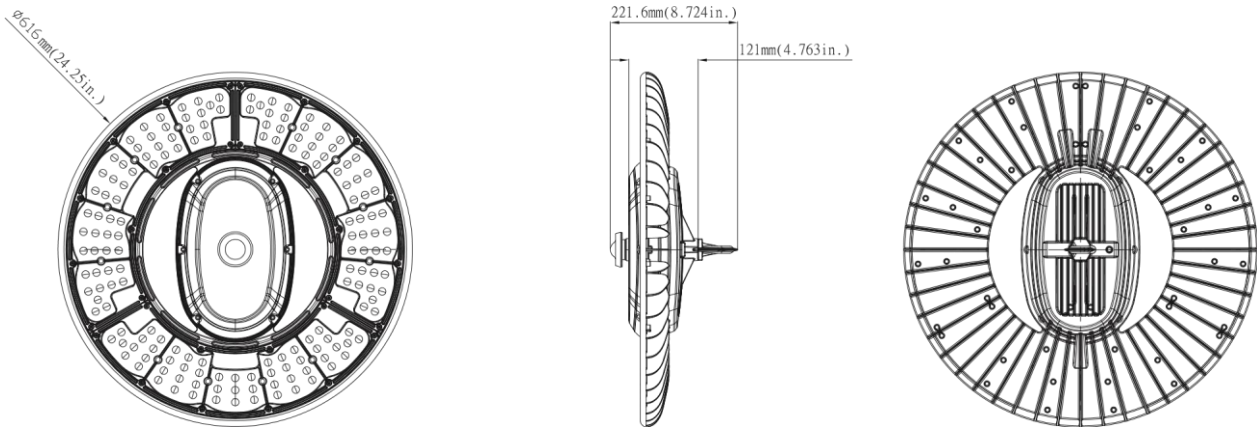
Condenser Lens
A lens that is both high temperature resistant and aesthetically pleasing to achieve maximum output luminous flux.

PERFORMANCE DATA

SYSTEM WATTS	VOLTAGE	4000K(70CRI)		5000K(70CRI)		Temperature
		LUMENS	LPW	LUMENS	LPW	
200W	120-277VAC/347-480V	29000lm	145lm/W	29000lm	145lm/W	-40°C to 65°C
300W	120-277VAC/347-480V	42000lm	140lm/W	42000lm	140lm/W	-40°C to 65°C
250W	120-277VAC/347-480V	36000lm	144lm/W	36000lm	144lm/W	-40°C to 55°C
350W	120-277VAC/347-480V	50000lm	143lm/W	50000lm	143lm/W	-40°C to 55°C

DIMENSION

unit: inch/mm



ORDERING GUIDE

Example: MHB05250W27V50KD

Fixture Type	Wattage	Voltage	CCT	Finish	Sensor (Option)	Adjustment Dial (Option)	Internal Code
MHB05 High Bay	200 200W 300 300W 250 250W 350 350W	27V 120-277V 48V 347-480V	40K 4000K 50K 5000K	D Dark Bronze B Black W White	M With Sensor Blank Without Sensor	AD With Adjustment Dial Blank Without Adjustment Dial	Blank Alphanumeric

Note: Adjustment dial option is only available on 250W and 350W models.

- 200W or 300W is recommended when the ambient temperature is -40°C to 65°C (-40°F to 149°F).
- 250W or 350W is recommended when the ambient temperature is -40°C to 55°C (-40°F to 131°F).