

# LED Troffer

Bluetooth Control



## Features

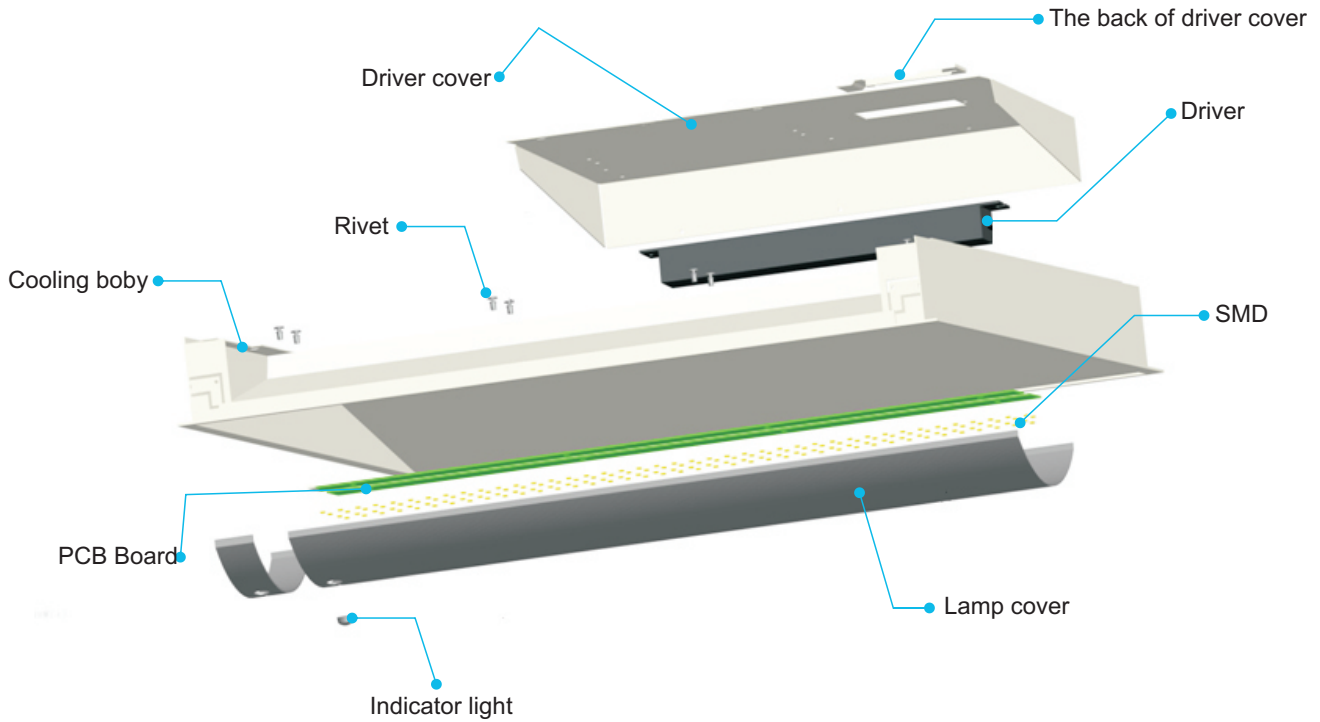
1. Beam angle: 120 degrees.
2. Metal die-casting heat sinks is good for heat dissipation.
3. It's major to replace the CFL/MH/HID/HPS.
4. Green, energy saving, long and reliable life > 72000 hrs
5. No RF interference No IR/UV radiation no mercury pollution
6. Wide colour availability in degrees Kelvin(K), 2700-6700K.
7. Streamline exterior design beautiful appearance.
8. Environment friendly, energy saving(70~80%).
9. Special circuit design each LED work separately avoiding the single broken LED influence problem.



## BENEFITS

- Luminaire destined to send more fluorescent fixtures down the tubes.
- Class-leading performance up to 130/150 LPW for maximum energy savings – up to 60% less than similar fluorescent solutions.
- Troffer qualifies for DLC which enables enhanced rebates nationwide.
- Remarkably priced for a typical payback of less than one years.
- Choose between 80+ and 90 CRI to enhance the look of any space.
- Ultra-thin height and lightweight design effectively targets a broad range of plenum spaces.
- Smart Technology intelligent light solution or continuous 0-10V dimming to 5% along with up to 130 LPW efficacy enables compliance with most nationwide energy codes.
- Creates a soft, comfortable lighting experience by utilizing a matte finish design which reduces glare and enables perfect vertical and horizontal light distribution.

# Structures

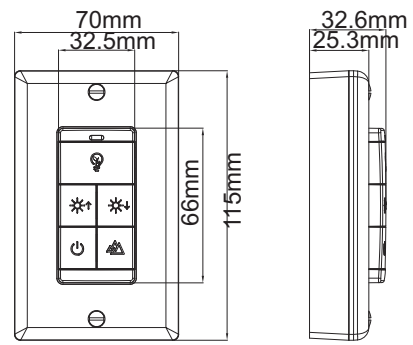


	24W	20W	30W	40W	50W	60W
--	-----	-----	-----	-----	-----	-----

Model	ARK22T24 DN40140	ARK24T20 DN40140	ARK24T30 DN40140	ARK24T40 DN40140	ARK24T50 DN40140	ARK24T60 DN40130
Luminous Flux	3120lm	3000lm	4500lm	5200lm	6500lm	5200lm
DLC certification	Y	Y	Y	Y	Y	Y
Dimension	23.81" X 23.81" X 2.5"		47.83" X 23.81" X 2.5"			
Light Source	SMD LED					
Luminous Efficacy	>130/150 lm/w					
Operation Temp.	-40 to +45°C					
CCT	2700K -- 6700K CW					
CRI	80					
Life Span	50,000 hours at 25°C					
Voltage	100-277VAC/50-60HZ					
Driver	UL listed power supply					
Emergency Module	Available					
Dimming	0-10V					
Sensor	Motion sensor & Daylight sensor 2 in 1					
Beam Angle	120°					
PF	>0.95					
Warranty	5 Years					

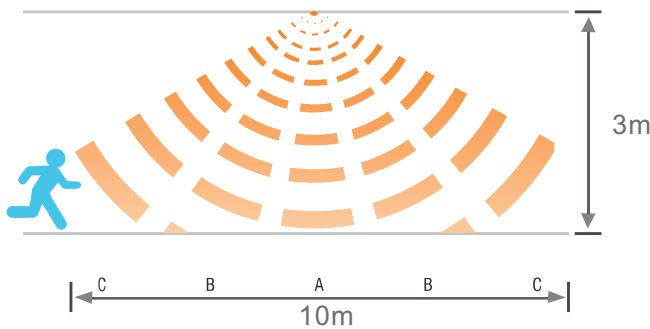


# Wireless Bluetooth Switch



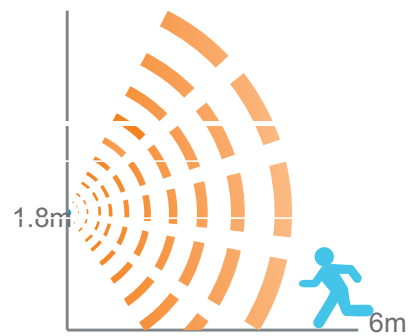
## Features

- Powered by two AAA batteries.
- Bluetooth communication.
- No wires needed. Easy installation: suitable for surface-mounted or recessed in the wall. Or just leave it on the desk.
- When the voltage less than 2.6V, press any buttons and the red light flashes.



## Specifications

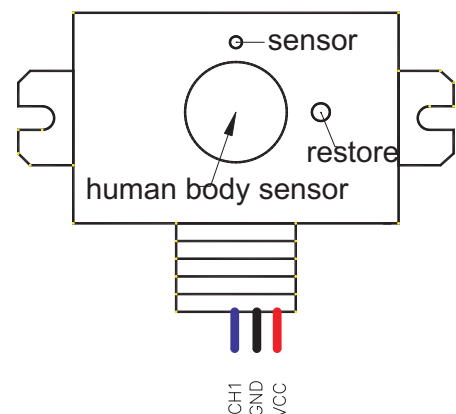
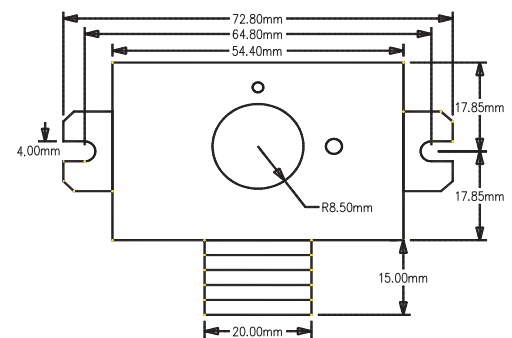
Communication Mode	Bluetooth
Supply Voltage	3V(2 pcs AAA battery)
Flame Rating	UL 94 V-0
Working Humidity	≤90%RH
Working Temperature	-10~45°C
Net Weight	8.3g (without battery)



## Features

- ※Bluetooth 4.0 multi-lamp linkage control;
- ※Integrated infrared human body sensor and light sensor;
- ※Press and hold 5S to restore the factory settings.
- ※Single channel 0-10V dimming;

Operating Voltage :	12V DC
Working Current :	0-10V version 25mA (Max)
Communication Type :	Bluetooth
Transmit Power(Max.) :	8dBm
Communication Distance(Max.) :	328'
Infrared sensing range :	Φ 26.24' @H 26.24'/360°
Photosensitive sensing range :	10-1000Lux
Working Temperature :	-30~+80°C
Product size:	L 2.14"* W 1.41"* H 0.39"





# APP

Support IOS, Android phones \*

- \* Easily add and manage lamps and smart switches.
- \* Use APP to group lamps.
- \* Set lighting scenes.
- \* Manage timer tasks.
- \* Configure delay time of human movement sensor.
- \* Configure group linkage control.
- \* Manage lamps of different areas in one smart phone.
- \* Share control privilege among smart phones
- \* Assign different privileges to staff to manage lamps.
- \* Compatible with most Android phones

# ARK SMART



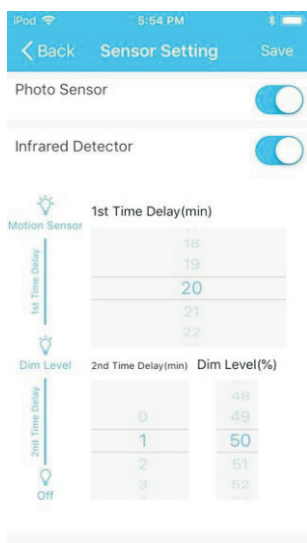
iOS



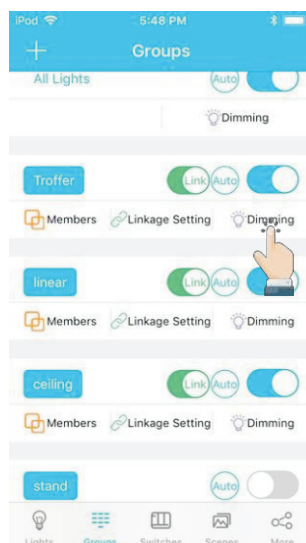
Android

Please scan the QR code according to your phone type to download APP.

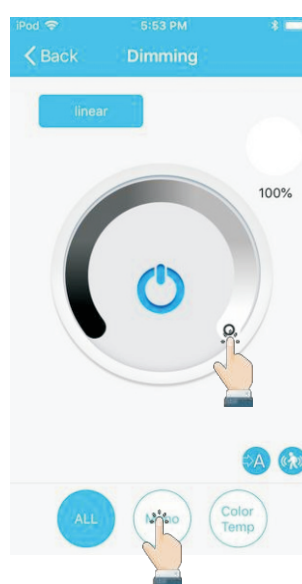
## Timing setting



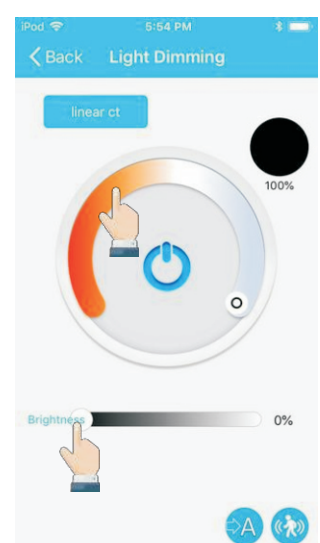
## Group / scenes control



## Dimming smart control



## CCT



TEL : +86 755-29553255 29553192 | Web: www.arkshine.com

E-mail: sale@arkshine.com | Fax: +86 755-29553313

# Industries We Serve

Intelligent energy efficient lighting control system



Education



Banquet Facilities



Hospital



Retail Stores



Sports & Fitness



Office Buildings



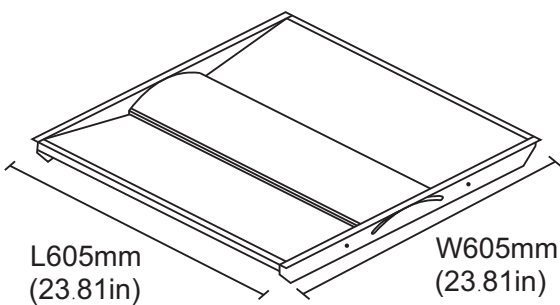
Churches



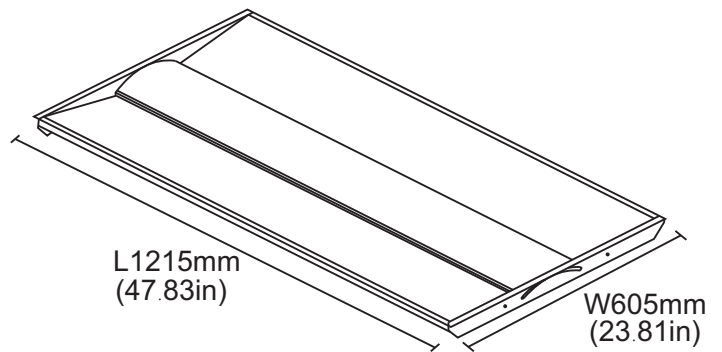
Manufacturing & Warehouse



## Dimensional Drawing



**ARK22T24DN40140**



**ARK24T20DN40140**



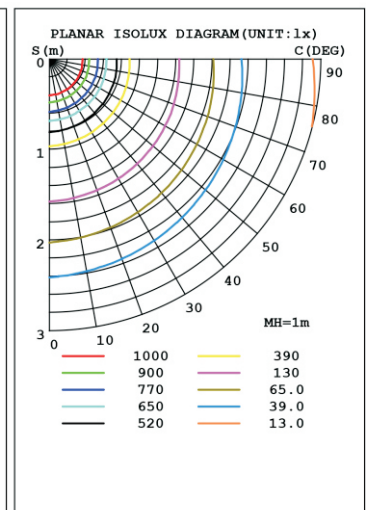
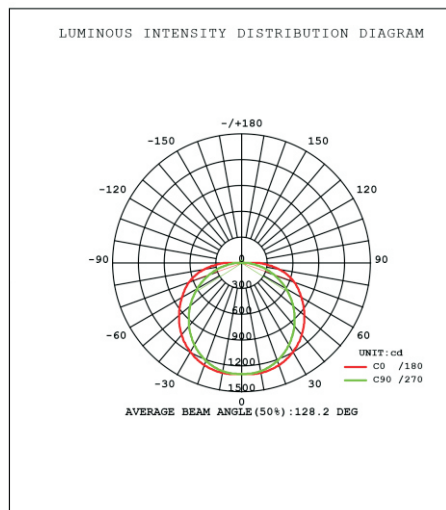
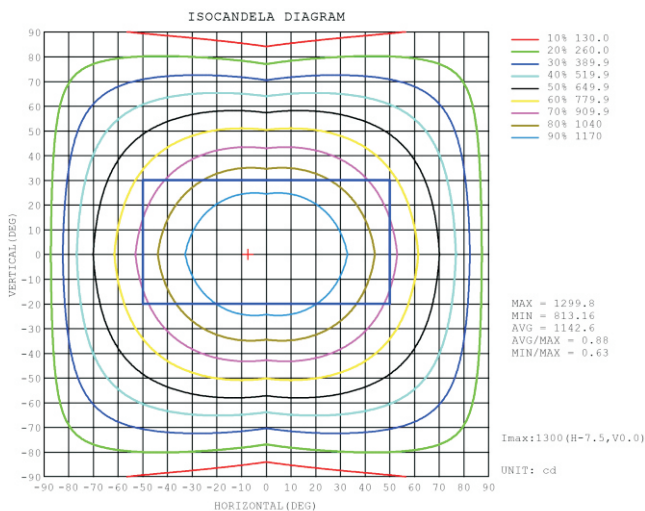
TEL: +86 755-29553255 29553192 | Web: [www.arkshine.com](http://www.arkshine.com)

E-mail: [sale@arkshine.com](mailto:sale@arkshine.com) | Fax: +86 755-29553313

## General Specifications

L-70 Lifetime	>72,000 hrs.
Efficiency	130 / 150 lumens / watt
Warranty	5 Years
Installation Warranty	Available on request. (Provides for labor costs associated with replacement of fixtures)
CCT (Color Temperature)	2700K-6700K
Driver Operating Temperature	-20 °C to 60 °C
Driver Protection:	Output opencircuit, shortcircuit overload, and thermal protection of circuits
Driver Compliance:	SELV (Safety Extra Low Voltage) compliance
LM-80 @55 °C	Avg. Lumen Maintenance at 6,000 hours: 100.01%. Avg. Chromaticity Shift: 0.00196
LM-80 @85 °C	Avg. Lumen Maintenance at 6,000 hours: 96.96%, Avg. Chromaticity Shift: 0.00270
LM-80 @105 °C	Avg. Lumen Maintenance at 6,000 hours: 96.26%, Avg. Chromaticity Shift: 0.00436

### Photometrics (30W Troffer Fixture):

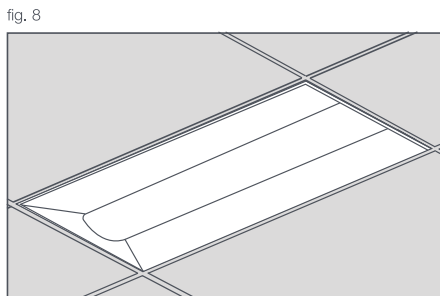
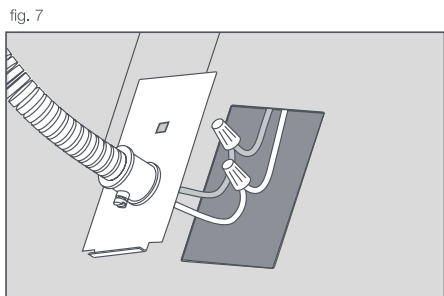
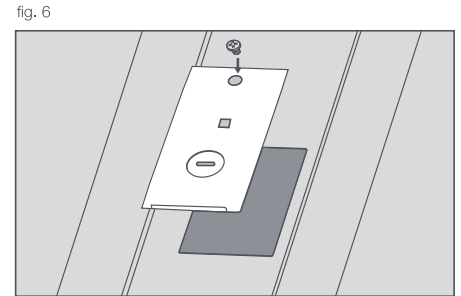
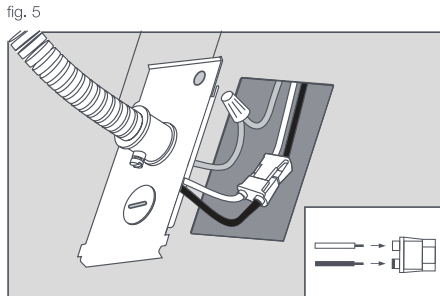
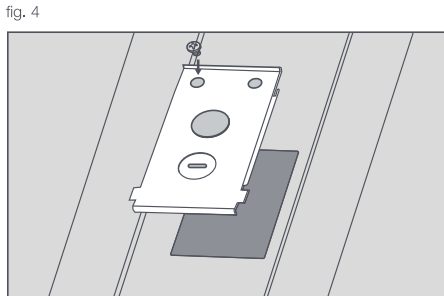
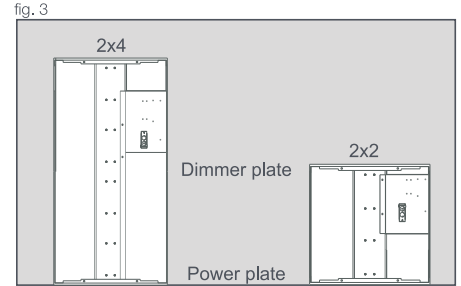
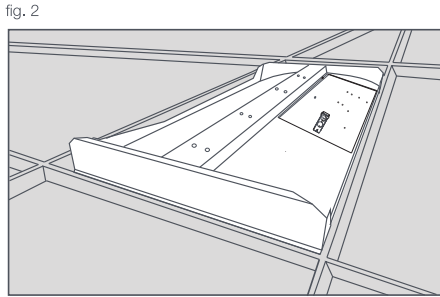
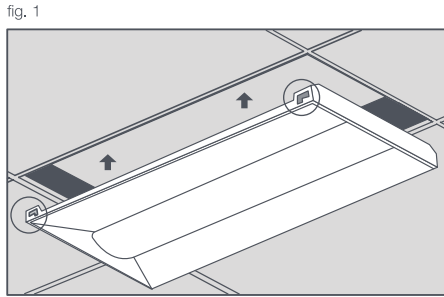


TEL: +86 755-29553255 29553192 | Web: [www.arkshine.com](http://www.arkshine.com)

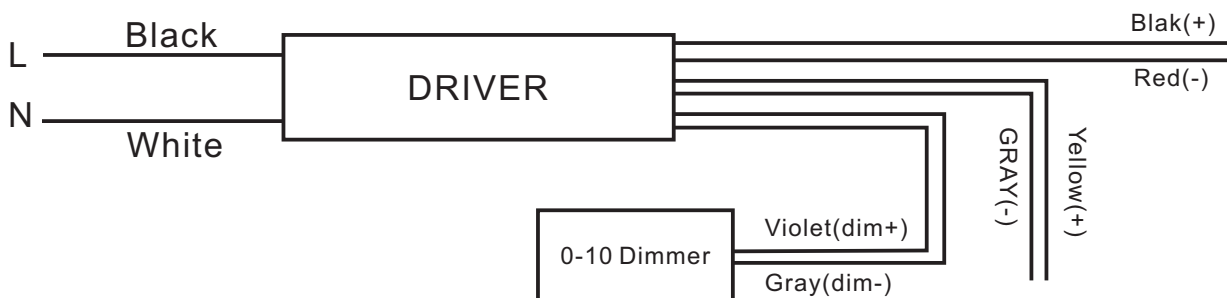
E-mail: [sale@arkshine.com](mailto:sale@arkshine.com) | Fax: +86 755-29553313

# LED TROFFER 2X2' & 2X4' INSTALLATION

1. Make sure the POWER IS TURNED OFF at the source to the location at which you are installing the product.
2. Remove existing troffer if applicable.
3. Take out Troffer
4. Place troffer in ceiling
5. Remove power conduit plate. Insert power supply into power conduit plate using appropriate electrical fittings. (fig. 4 & fig. 5)
6. Insert black wire (line) from the power supply into the port of the LED quick connector marked with a black circle. Insert white wire (neutral) into the unmarked port. Connect the LED quick connector to the troffer. Wire the green wires (ground) together. Replace power conduit plate after wiring. (fig. 5)
7. For 0-10V dimming circuits, wire at dimmer conduit plate. Remove knockout and dimmer conduit plate. Insert 0-10V dimming circuit into dimmer conduit plate using appropriate electrical fittings and wire the grey and purple wires to troffer using wire nuts. Replace dimmer conduit plate after wiring. (fig. 6 & fig. 7)
8. Return power back to the source and installation is complete. (fig. 8)



## Wiring



# Packing Info



Length	2'x2'		2'x4'	
L(cm)	65		128	
H(cm)	61.5		63	
W(cm)	8		8	
Q'ty/CTN	1		1	
N.W(KG)	3.7		7.1	
G.W(KG)	4.8		8.5	
Qty fit in container Pallet	20'GP	40'GP/HQ	20'GP	40'GP/HQ
	576	1152/1248	288	648/702
Qty fit in container Not pallet	20'GP	40'GP/HQ	20'GP	40'GP/HQ
	696	1566/1782	348	783/891
Package size(mm)	20'GP A: 1330×1260×1140 48PCS 40'GP B: 1330×640×1140 24PCS		20'GP A: 1300×1290×1140 24PCS 40'GP B: 1300×650×1140 14PCS	
	20'HQ A: 1330×1260×1250 52PCS 40'HQ B: 1330×640×1250 26PCS		20'HQ A: 1300×1290×1250 26PCS 40'HQ B: 1300×650×1250 13PCS	



TEL : +86 755-29553255 29553192 | Web: [www.arkshine.com](http://www.arkshine.com)

E-mail: [sale@arkshine.com](mailto:sale@arkshine.com) | Fax: +86 755-29553313