



Full cutoff wall pack

Features

- Sealed die-casting profile for outdoor applications
- Available with Type III photometry
- Head tilts max 20degree for different lighting purpose
- Replacing 175-400W MH
- Lumen output from 7500-12000lm with efficacy of 107lm/W
- Built-in UL class 2 driver, optional for photocell
- UL and DLC pending



Applications

- Security, pathway and perimeter lighting
- Building entryways and walkways



Specification

Specification/Model	WPI70W27V50KDP0	WPI90W27V50KDP0	WPI105W27V50KDP0
Input Power	70W	90W	105W
Lumens output	7500lm	9700lm	12000lm
Efficacy	107 lm/W	108 lm/W	114 lm/W
CRI	72		
Color Temperature	5000K		
Input Voltage	120-277VAC		
Finish Color	Dark Bronze		
Lens	Glass		
Mounting	Fits electrical box and wall mount directly		
Photocell	120-277VAC (UL and CSA listed) 3/4in long threaded nipple, 30-45 second time delay, Power Consumption: less than 0.9 watts at 120 VAC		

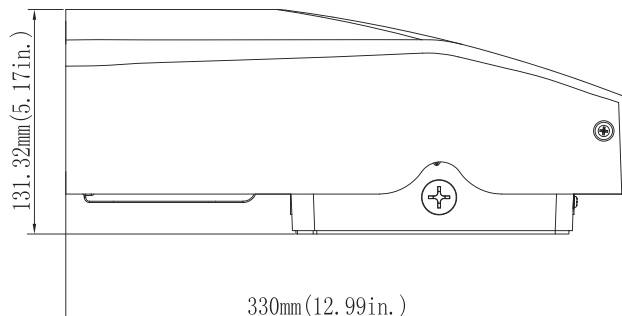
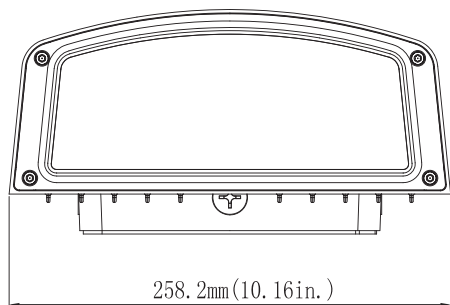
Ordering Guide

EXAMPLE: WPI 70W 27V 40K D P0

Fixture Type		Power Consumption		Input Voltage		CCT		Finish		Photocell (Option)	
WPI	Full Cutoff Wall Pack	70W	70Watts	27V	120-277V	40K	4000K	D	Dark Bronze	P0	120-277V Photocell
		90W	90Watts	34V	347V	50K	5000K	B	Black	Blank	Without Photocell
		105W	105Watts								

Dimension

unit: inch/mm



Ordering Information

Ordering	Rated	Luminaire	Wattage	CCT	Initial	Luminaire	Rated	CRI	Power	Dimmable	Photocell	Certificate
Code	Voltage(VAC)	Type	(W)		Lumens(lm)	Efficacy(lpw)	Life(hrs)		Factor			
WPI70W27V40KD*	120-277V	Full Cutoff Wall Pack	70	4000	7500	107	50000	72	0.9	NO	NO	UL Pending
WPI70W27V40KDPO	120-277V	Full Cutoff Wall Pack	70	4000	7500	107	50000	72	0.9	NO	YES	UL Pending
WPI70W27V50KD	120-277V	Full Cutoff Wall Pack	70	5000	7500	107	50000	72	0.9	NO	NO	UL Pending
WPI70W27V50KDPO	120-277V	Full Cutoff Wall Pack	70	5000	7500	107	50000	72	0.9	NO	YES	UL Pending
WPI75W34V40KD	120-277V	Full Cutoff Wall Pack	75	4000	7500	100	50000	72	0.9	NO	NO	UL Pending
WPI75W34V40KDPO	120-277V	Full Cutoff Wall Pack	75	4000	7500	100	50000	72	0.9	NO	YES	UL Pending
WPI75W34V50KD	120-277V	Full Cutoff Wall Pack	75	5000	7500	100	50000	72	0.9	NO	NO	UL Pending
WPI75W34V50KDPO	120-277V	Full Cutoff Wall Pack	75	5000	7500	100	50000	72	0.9	NO	YES	UL Pending
WPI90W27V40KD*	120-277V	Full Cutoff Wall Pack	90	4000	9700	108	50000	72	0.9	NO	NO	UL Pending
WPI90W27V40KDPO	120-277V	Full Cutoff Wall Pack	90	4000	9700	108	50000	72	0.9	NO	YES	UL Pending
WPI90W27V50KD	120-277V	Full Cutoff Wall Pack	90	5000	9700	108	50000	72	0.9	NO	NO	UL Pending
WPI90W27V50KDPO	120-277V	Full Cutoff Wall Pack	90	5000	9700	108	50000	72	0.9	NO	YES	UL Pending
WPI95W34V40KD	347/480V	Full Cutoff Wall Pack	95	4000	9700	102	50000	72	0.9	NO	NO	UL Pending
WPI95W34V40KDPO	347/480V	Full Cutoff Wall Pack	95	4000	9700	102	50000	72	0.9	NO	YES	UL Pending
WPI95W34V50KD	347/480V	Full Cutoff Wall Pack	95	5000	9700	102	50000	72	0.9	NO	NO	UL Pending
WPI95W34V50KDPO	347/480V	Full Cutoff Wall Pack	95	5000	9700	102	50000	72	0.9	NO	YES	UL Pending
WPI105W27V40KD*	120-277V	Full Cutoff Wall Pack	105	4000	12000	114	50000	72	0.9	NO	NO	UL Pending
WPI105W27V40KDPO	120-277V	Full Cutoff Wall Pack	105	4000	12000	114	50000	72	0.9	NO	YES	UL Pending
WPI105W27V50KD	120-277V	Full Cutoff Wall Pack	105	5000	12000	114	50000	72	0.9	NO	NO	UL Pending
WPI105W27V50KDPO	120-277V	Full Cutoff Wall Pack	105	5000	12000	114	50000	72	0.9	NO	YES	UL Pending
WPI110W34V40KD	347/480V	Full Cutoff Wall Pack	110	4000	12000	109	50000	72	0.9	NO	NO	UL Pending
WPI110W34V40KDPO	347/480V	Full Cutoff Wall Pack	110	4000	12000	109	50000	72	0.9	NO	YES	UL Pending
WPI110W34V50KD	347/480V	Full Cutoff Wall Pack	110	5000	12000	109	50000	72	0.9	NO	NO	UL Pending
WPI110W34V50KDPO	347/480V	Full Cutoff Wall Pack	110	5000	12000	109	50000	72	0.9	NO	YES	UL Pending

Note: D* Dark Bronze finish color is inventory color, please consult factory for lead time if other color is needed.

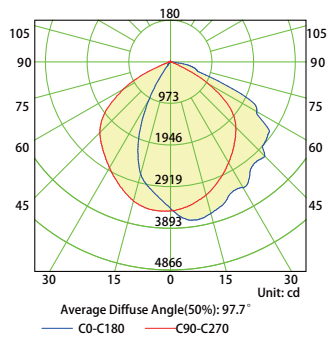
Energy Saving Replacement

MESTER MODEL	Replacing
WPI70W27VXXKYY, WPI75W34VXXKYY	175W MH
WPI90W27VXXKYY, WPI95W34VXXKYY	250W MH
WPI105W27VXXKYY, WPI110W34VXXKYY	400W MH

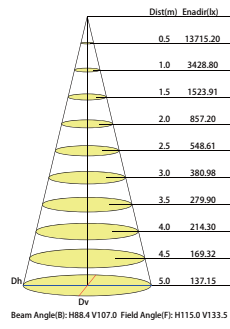
Photometrics

WPI70W27V40KD

Luminous Intensity Distribution Curve

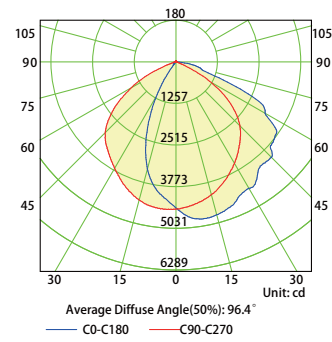


Illuminance at a Distance

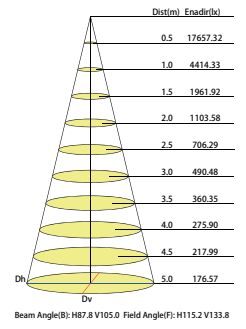


WPI90W27V40KD

Luminous Intensity Distribution Curve

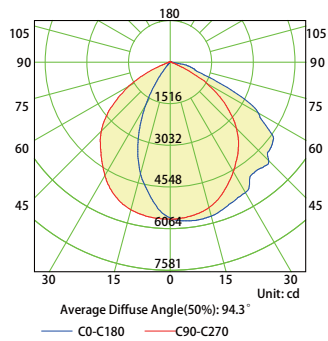


Illuminance at a Distance

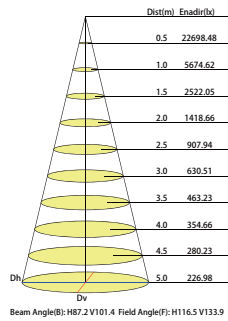


WPI105W27V40KD

Luminous Intensity Distribution Curve



Illuminance at a Distance



MESTER LED LIMITED

3rd F, section B, Building A, Sunshine Industrial Park, Hezhou,
 Xixiang, Bao'an District, Shenzhen China.
www.szmester.com

